

Downlight fitting



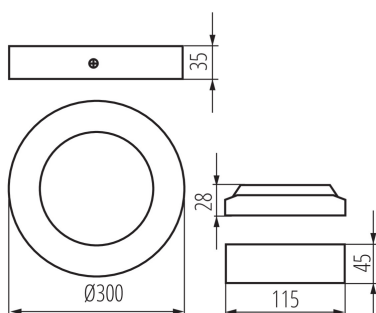
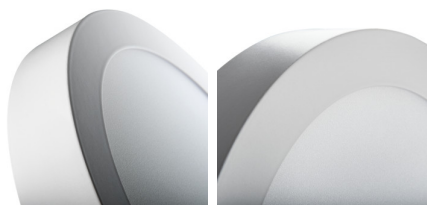
Kanlux CARSA V2 LED is a round façade luminaire characterised by harmonious combination of LED technology with attractive and modern looks. It is distinguished by high energy efficiency with maintained excellent light parameters. Kanlux CARSA V2 LED is perfect for lighting residential interiors and office rooms.

GENERAL DATA:

Colour: white
Place of assembly: ceiling mounted
Place of application: Indoors
Minimum distance from the illuminated object: 0,5m
Compatible with a dimmer: no
The product is not suitable to be covered with a heat-insulating material: yes
Height [mm]: 35
Diameter [mm]: 300
Wire length [m]: 0.05
Integrated LED light source: yes

TECHNICAL DATA:

Rated voltage [V]: 220-240 AC
Rated frequency [Hz]: 50
Maximum power [W]: 24
Class of protection against electric shock: II
Lampshade material: plastic
Diode type: LED SMD
Luminous flux [lm]: 1680
Colour temperature: white
Correlated colour temperature [K]: 4000
Colour consistency in McAdam ellipses: ≤6
Colour rendering index: 80
Service life [h]: 15000
Number of on/off cycles: ≥20000
Lighting angle [°]: 110
Luminous efficiency of the lamp [lm/W]: 70
Ambient temperature range to which the product can be exposed: 5÷25
Enclosure material: aluminum alloy
Connection type: Free cable ends
Wire diameter [mm²]: 0.75
Lamp-heating time [s]: ≤1
Lamp-ignition time [s]: ≤0,5
IP class: 20



Downlight fitting

